



Your Last Stop for CCTV Solutions



- Economical
- Excellent Image Quality
- 1/3" Sony Super HAD CCD
- Standard Resolution : 420 TV Lines / High Resolution : 600 TV Lines
- Standard 3.8mm Lens
- D&N Function by Color Kill
- 48pcs high power 5mm \varnothing IR LED with CDS Sensor
- 0 Lux up to 25m (60° LEDs, 3.8 / 6mm Lens)
0 Lux up to 40m (45° LEDs, 8 / 12mm Lens)
- Low Power Consumption : 350mA Max. @ 12VDC
- Reverse Polarity Protection
- Aluminum Casing, Sunshield & Bracket with Epoxy Powder Coating
- Double Glass to Reduce IR Reflection

Applications



Warehouse



Production Line



Outdoor Garden



Petrol Station

Weatherproof IR Camera

BIR91 (2D-DNR)

Standard Resolution 420 TV Lines

BIR91H (SMART DNR)

High Resolution 600 TV Lines



BIR-91, BIR-91H

600
TV Lines

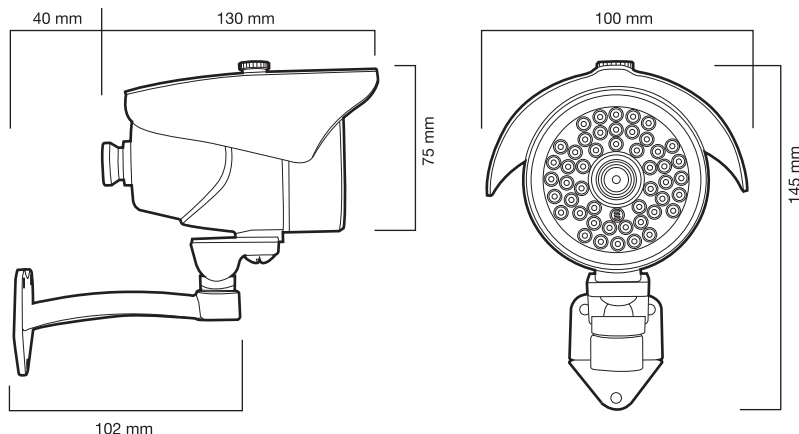
Day
and
Night

IR
Lens

48
LEDs

Standard Resolution 420TVL & Hi-Resolution 600TVL

WEATHERPROOF IR CAMERA



Specification

Image Sensor	1/3" Interline Transferred Sony Super HAD CCD
Signal System	PAL / NTSC
Synchronization	Internal
Lens	Standard 3.8mm Lens, Optional 6 / 8 / 12mm
LED's	48nos. 5mm Φ , 850nm IR LED
Minimum Illumination	0 Lux up to 25m for 3.8/6mm (60° LEDs) 0 Lux up to 40m for 8/12mm (45° LEDs)
S/N Ratio	More than 48 dB
Electronic Iris	PAL : 1/150~1/100,100s, NTSC : 1/60~1/100,000s
Day & Night Function	Colour Kill
Video Output	BNC, 1 Vp-p Video Composite
Power Consumption	280 mA Max. @ 12VDC (IR On)
Operating Temperature	0° to 55° C
Physical	94 mm x 75 mm, Approx : 0.4 kg

Indoor 15m total darkness with 6mm Lens



Indoor 15m total darkness with 8mm Lens



Outdoor open area



BIR-91 (2D-DNR)

Effective Pixels (H x V)	PAL	500 x 582
	NTSC	510 x 494
Horizontal Resolution		420 TV Lines

BIR-91H (Smart DNR)

Effective Pixels (H x V)	PAL	752 x 582
	NTSC	768 x 494
Horizontal Resolution		600 TV Lines

DNR (Digital Noise Reduction) ensures noise reduction in low lux.



CYNICS™

Your Last Stop for CCTV Solutions

FC CE

* Specifications may be changed without prior notice.